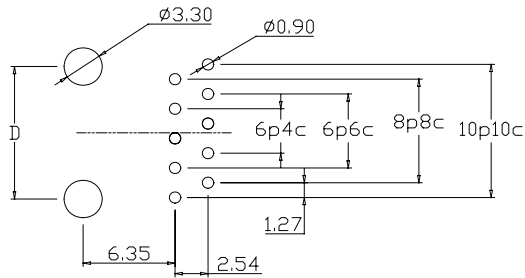
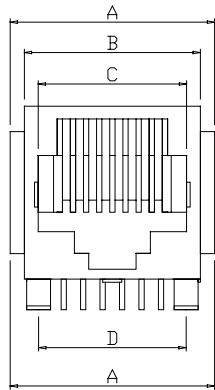
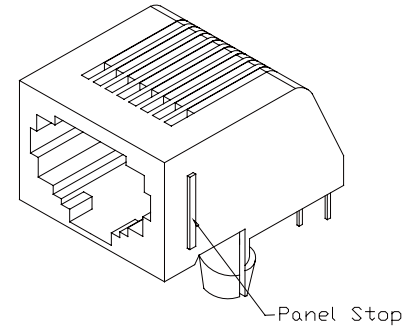
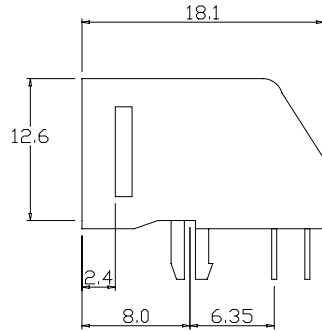


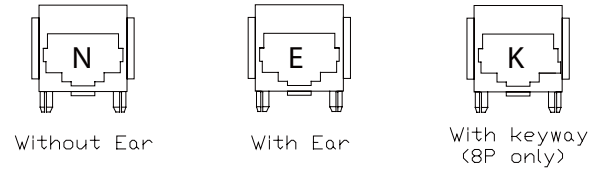
BY	CHK	REVISION RECORD MODIFICATIONS	DATE	REV.
ALLEN		RELEASE TO PRODUCTION	2007,9,12	1.0

MATERIAL & FINISH

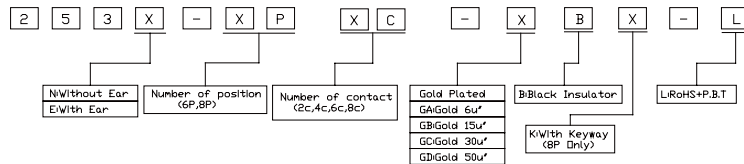
HOUSING: Glass Fiber, PBT, UL94V-0, BLACK
 CONTACT: 0.35mm thickness phosphor bronze,
 Gold plated over Nickel on contact area,
 Tin plated over Nickel on solder area.



Recommended PCB Layout
 (PCB TOLERANCE±0.05)



POSITION	CONTACT	A	B	C	D
6P	2C/4C/6C	15.75	13.20	9.90	10.16
8P	8C	17.75	15.20	11.93	11.43



APPRO	CHECK	DRAWN	PART NO.	253X-XPXC-XBX-L		
			ITEM NO.			
			DRAW NO.			
			UNIT	mm	SCALE	no
			TOLER		NO.	

DESCRIPTION

Tel: 0769 22020068 Fax: 0769 22020069 E-mail: sales@vigortec.com